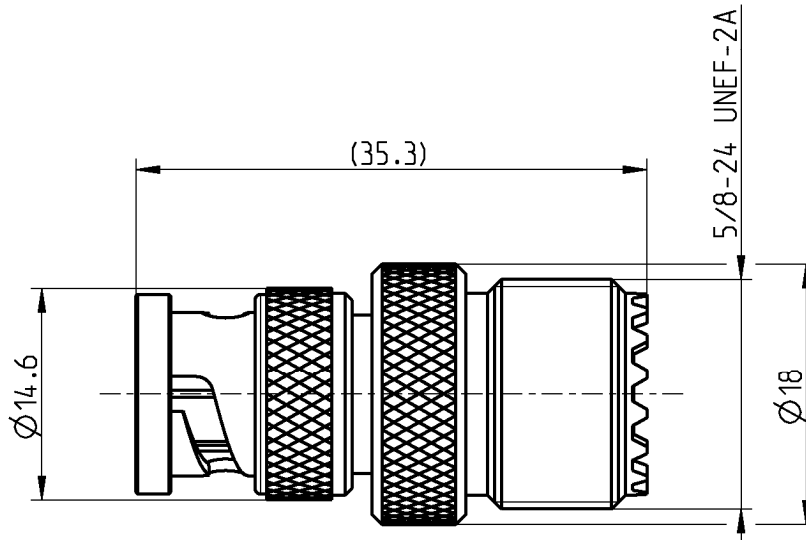


**ADAPTOR
BNC PLUG – UHF JACK**

51S154-K00N5



All dimensions are in mm; tolerances according to ISO 2768 m-H

Interface

According to BNC side: IEC 60169-8, MIL-PRF-39012, CECC 22120
 UHF side: IEC 60169-12

Documents

N/A

Material and plating

Connector parts

Center contact
 Outer contact
 Body
 Dielectric
 Gasket

Material

Spring bronze
 Brass
 Brass
 PTFE
 NeopreneCR 50C6

Plating

AuroDur®, gold plated
 Flash white bronze over silver(e.g. Optargen®)
 Flash white bronze over silver(e.g. Optargen®)

**ADAPTOR
BNC PLUG – UHF JACK**

51S154-K00N5

Electrical data

Impedance	N/A	
Frequency	DC to 300 MHz	
Insulation resistance	≥ 5 x 10 ³ MΩ	
Center contact resistance	≤ 1.5 mΩ, BNC side;	≤ 5 mΩ, UHF side
Outer contact resistance	≤ 1 mΩ, BNC side;	≤ 5 mΩ, UHF side
Test voltage	1500 V rms	
Working voltage	400 V rms	
Contact current (DC)	≤ 10 A typ.	
Power handling (at 20 °C, sea level, VSWR 1.0)	400 W typ. @ 300 MHz	

Mechanical data

	BNC side	UHF side
Mating cycles	min. 500	min. 500
Center contact captivation: axial	≥ 30 N	≥ 30 N

Environmental data

Temperature range	-25°C to +70°C
Thermal shock	MIL-STD-202, Meth. 107, Cond. B
Corrosion	MIL-STD-202, Meth. 101, Cond. B
Vibration	MIL-STD-202, Meth. 204, Cond. B
Shock	MIL-STD-202, Meth. 213, Cond. G
Moisture resistance	MIL-STD-202, Meth. 106
RoHS	compliant

Tooling

N/A

Suitable cables

N/A

Weight

Weight 28.3 g/pce

While the information has been carefully compiled to the best of our knowledge, nothing is intended as representation or warranty on our part and no statement herein shall be construed as recommendation to infringe existing patents. In the effort to improve our products, we reserve the right to make changes judged to be necessary.

Draft	Date	Approved	Date	Rev.	Engineering change number	Name	Date
Chr. Entsfellner	17/07/08	Sa. Krautenbacher	18.03.14	e00	14-0352	T. Krojer	18.03.14
Rosenberger Hochfrequenztechnik GmbH & Co. KG P.O.Box 1260 D-84526 Tittmoning Germany www.rosenberger.de					Tel.: +49 8684 18-0 Fax: +49 8684 18-499 email: info@rosenberger.de		Page 2 / 2